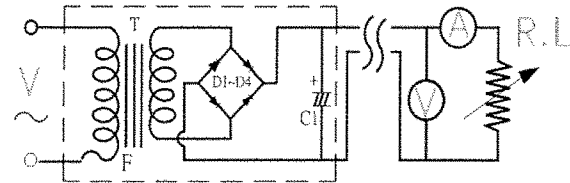
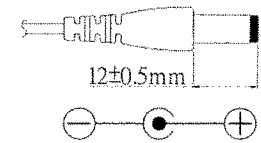
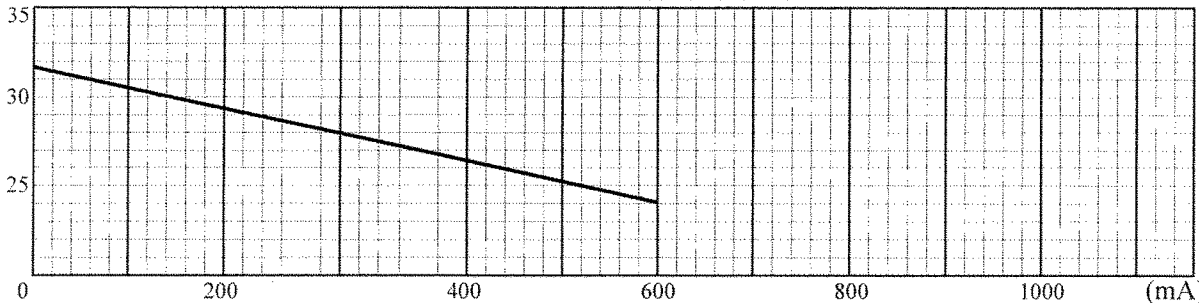
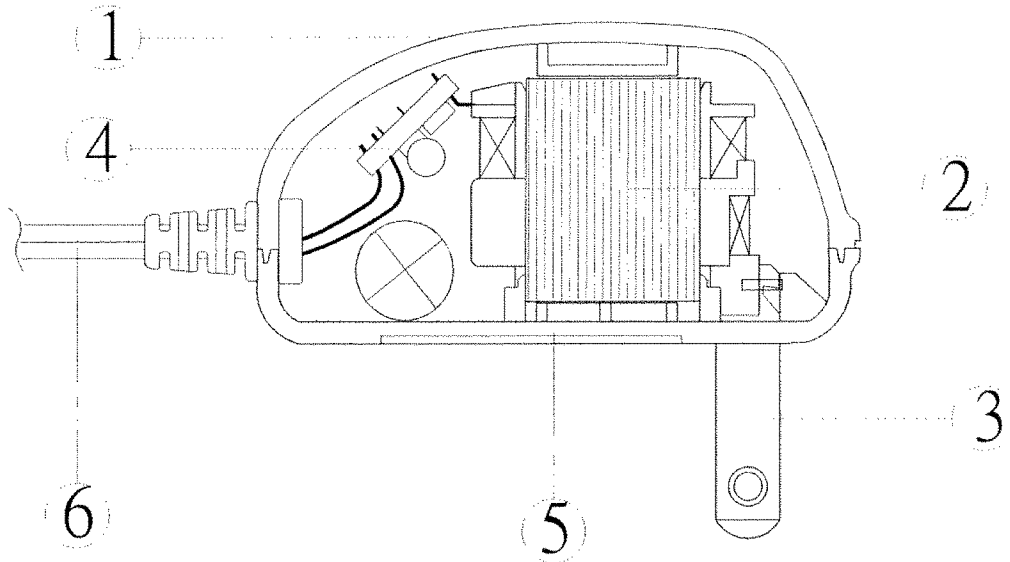


**TEST DATA**

ITEM	SPEC	SAMPLE									
		1	2	3	4	5	6	7	8	9	10
Primary Exciting Current Input 120VAC , 60 Hz	90 mA max	49	53	49							
Primary Load Current Input 120VAC , 60 Hz	190 mA max	139	139	139							
Secondary No Load DC Voltage	31.5V ±5%	31.73	31.67	31.69							
Secondary DC Voltage Load 400 mA	24V ±5%	24.1	24.17	24.17							
Secondary Voltage Load mA	V ± %										
Secondary Voltage Load mA	V ± %										
Secondary Voltage Load mA	V ± %										
Secondary Voltage Load mA	V ± %										
Ripple Voltage Load 400 mA (PK-PK)	2.5V max	1.7	1.7	1.7							
Hi-Pot Test 3 mA for 3Sec.	Pri. to Sec.	2K VAC	OK	OK	OK						
	Pri. to Core	2K VAC	OK	OK	OK						
	Sec. to Core	1.5K VAC	OK	OK	OK						
Temperature Rise: 70°C MAX measured By Resistance Method (Primary Winding)											
Core Film: SPLIT						Core : EI-41					
Testing Circuit: <span style="float: right;">Output Plug Drawing: PLUG: 5.5X2.5mm</span>											
<div style="display: flex; justify-content: space-between;"> <div style="width: 45%;"> <p style="text-align: center;">1000uF/35V</p>  </div> <div style="width: 45%; text-align: center;">  </div> </div>											
Output conductor length: 6FT min (AWG#24 )											
Input conductor length: min (AWG# )											
(V) <b>Characteristic Curve</b>											
											

## DC Adaptor Specifications

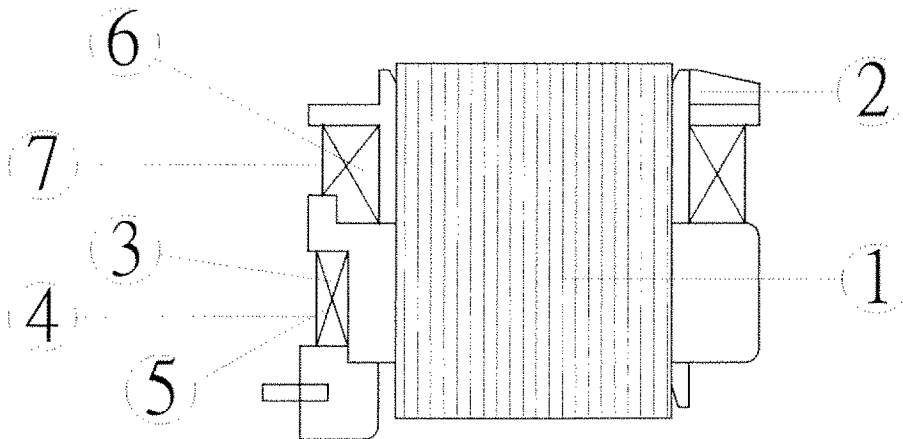
### Internal Construction Drawing and Parts List (Unit: Set or EA)



Part Name	Specification	Q'ty
1. Enclosure	Noryl PX1700 94V-1 95°C	
2. Transformer	EI-41	1
3. Blade	Ni plated brass	2
<b>4. Print Wiring Board Assembly</b>		
Print Wiring Board	04V0 94V-0 130°C	1
	11 94V-0 105°C	
	13 94V-0 130°C	
	BF-3 94V-0 130°C	
Diode	1A 50V 1N5819	4
Capacitor	1000uF 35V 85°C	1
5. Name Plate	Polyester Film	1
6. Output Cord	AWG# 24 6FT min	1

## DC Adaptor Specifications

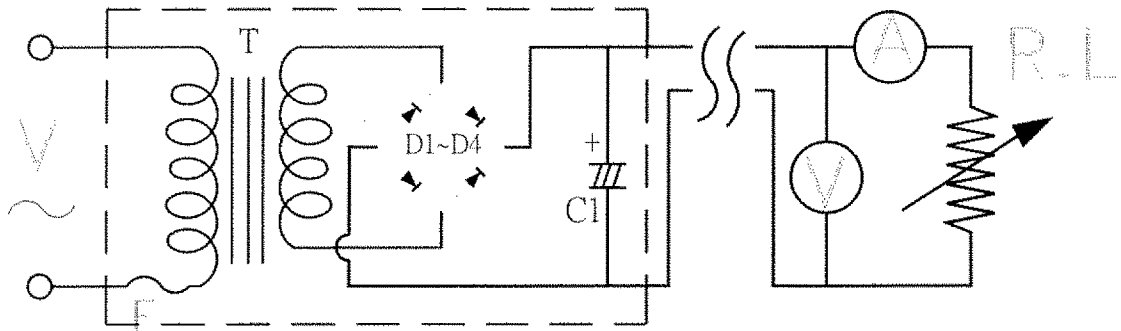
### Construction Drawing and Details of Transformer



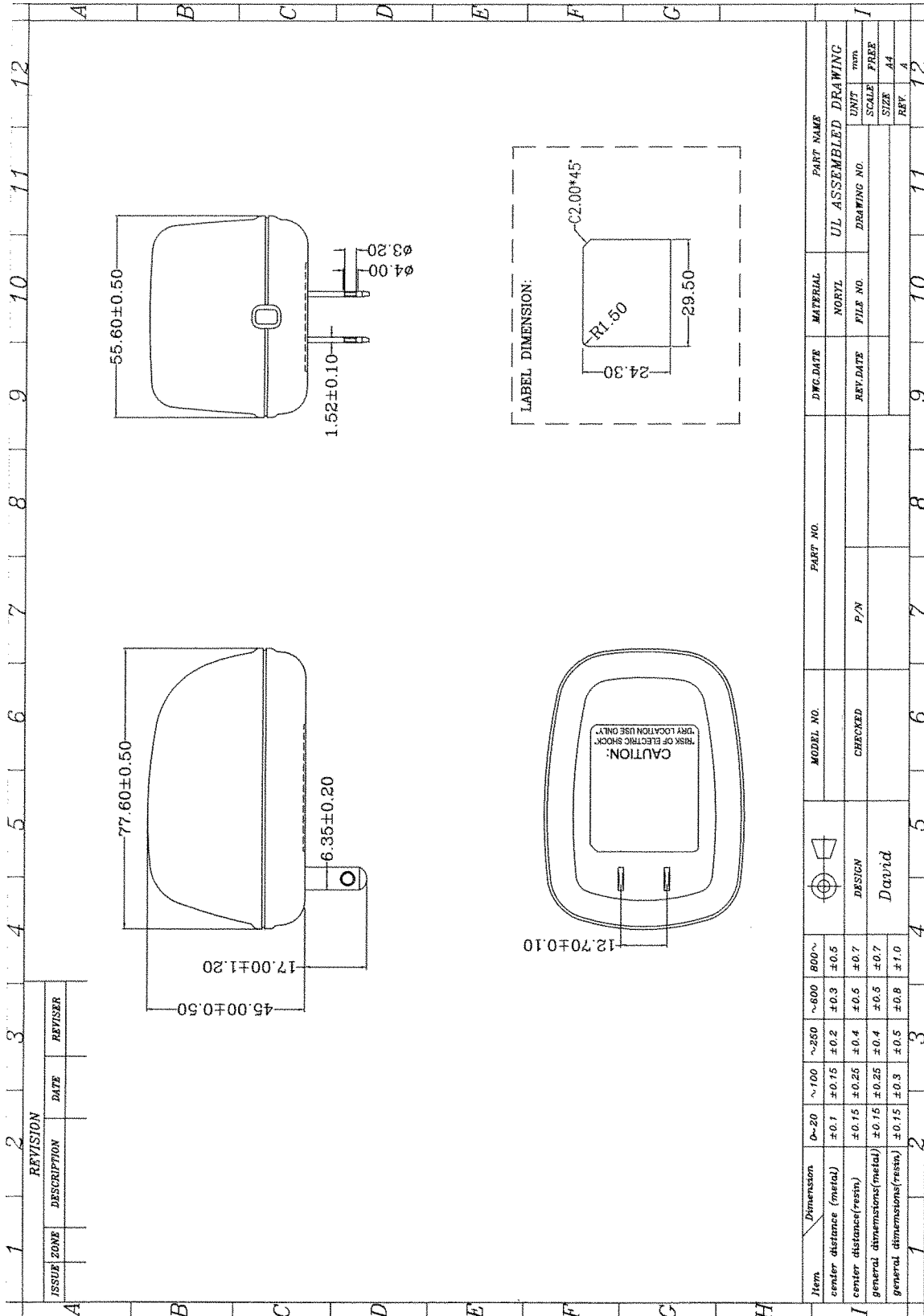
Part Name	Material & Type	Spec or Q'ty
1. Core	Silicon Steel	0.35mm
2. Bobbin	Polybutylene Terephthalate	0.71mm
	I403G6	
	PETP(QMFZ2)	
	FR-530, FR530L	
3. Primary Winding	Nylon 101L	
	Polyurethane Enameled	mm
	Copper wire	turn ohm
4. Primary Outer Winding	Mylar Tape	0.025mmx2T
5. Thermal Fuse	M30 2A 125°C 250V AC	1PC
6. Secondary Winding	Polyurethane Enameled	mm
	Copper Wire	turn ohm
7. Secondary Outer Winding	Mylar Tape	0.025mmx2T

## DC Adaptor Specifications

### Circuit Diagram



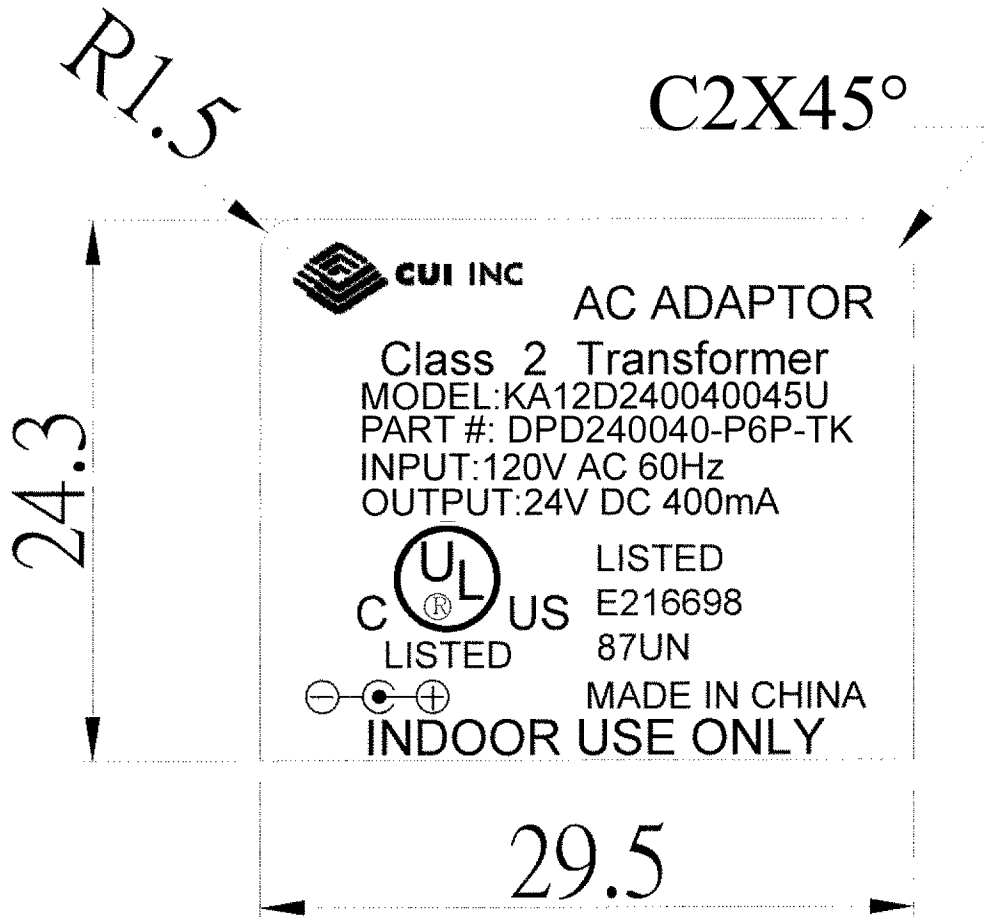
Symbol	Part Name	Note
T	Transformer	EI-41
D(1~4)	Diode	1A 50V 1N5819
F	Thermal	125°C 2A 250V
C	Capacitor	1000uF 35V 85C



## DC Adaptor Specifications

---

### Dimension of Nameplate (Unit:mm)



Material: Polyester Film

T: 0.25mm